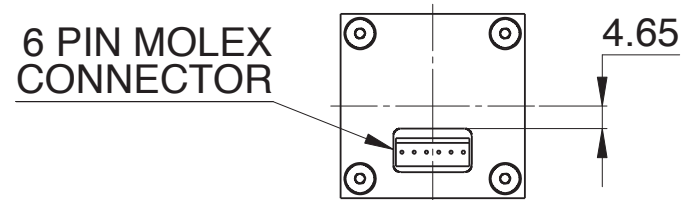
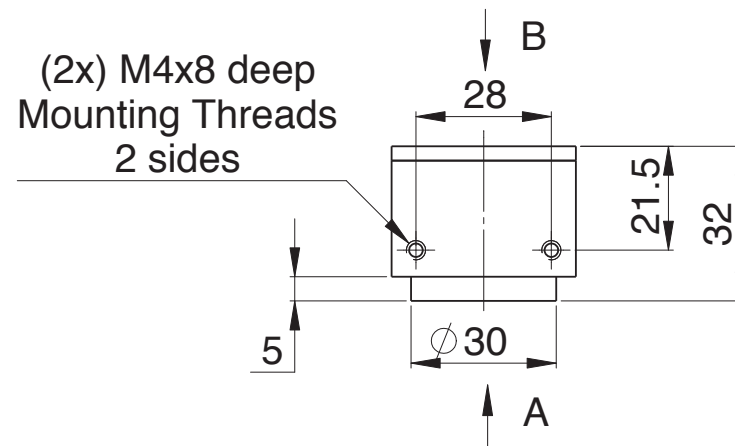


VIEW A



VIEW B